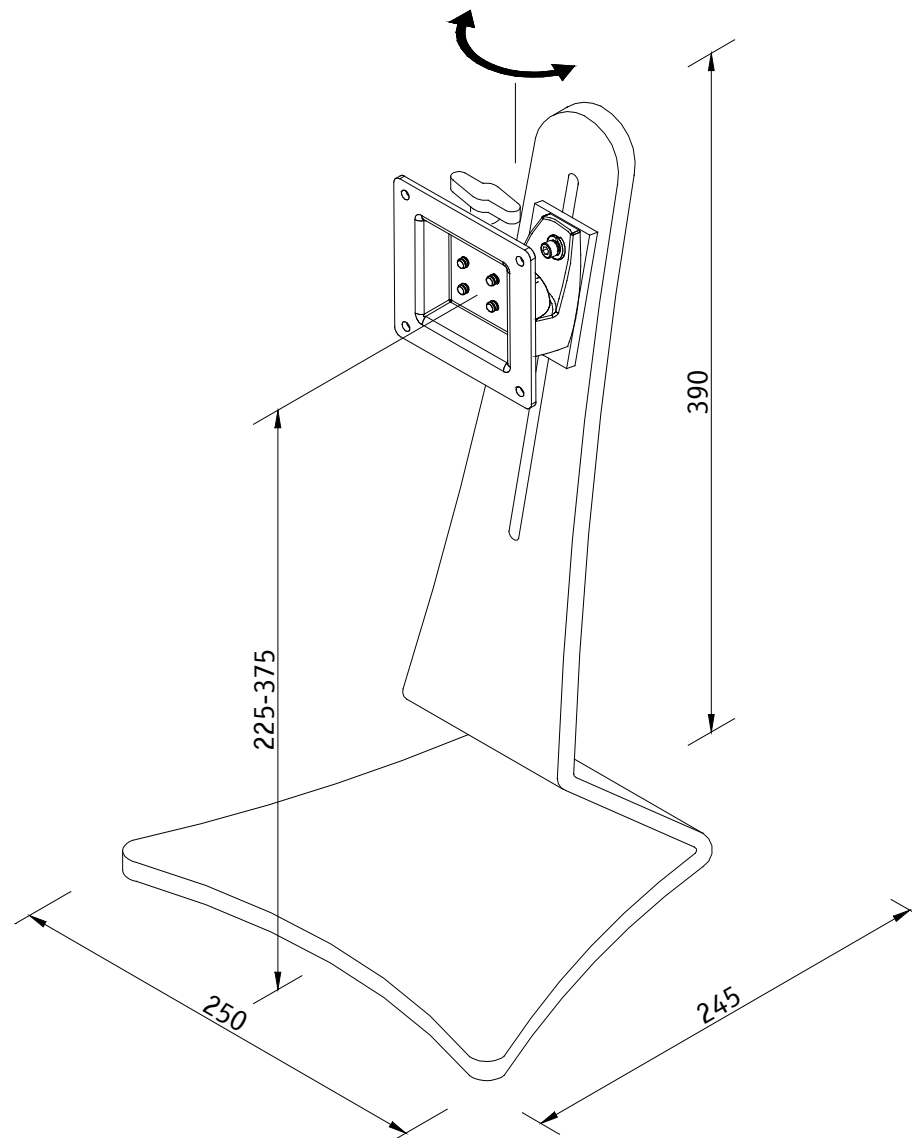


All dimensions in mm.



DATA-INFO # 49.302

Dataflex[®]
is a registered
trademark of
VIKING A.C. EUROPE BV
P.O. Box 713
NL-2920 CA
Krimpen a/d IJssel