

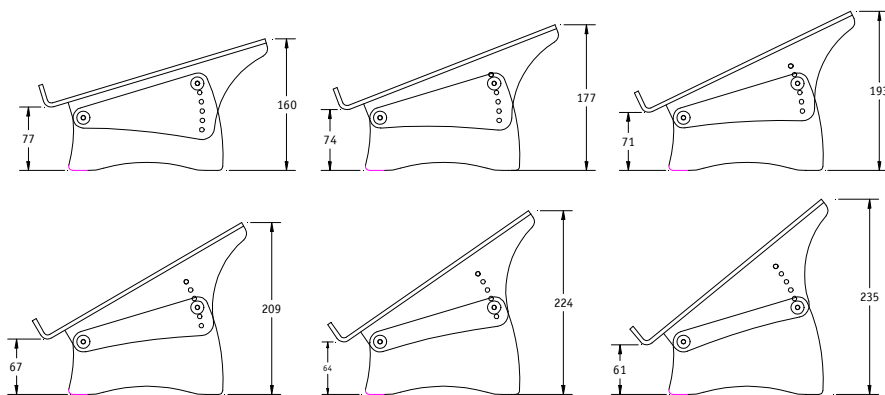
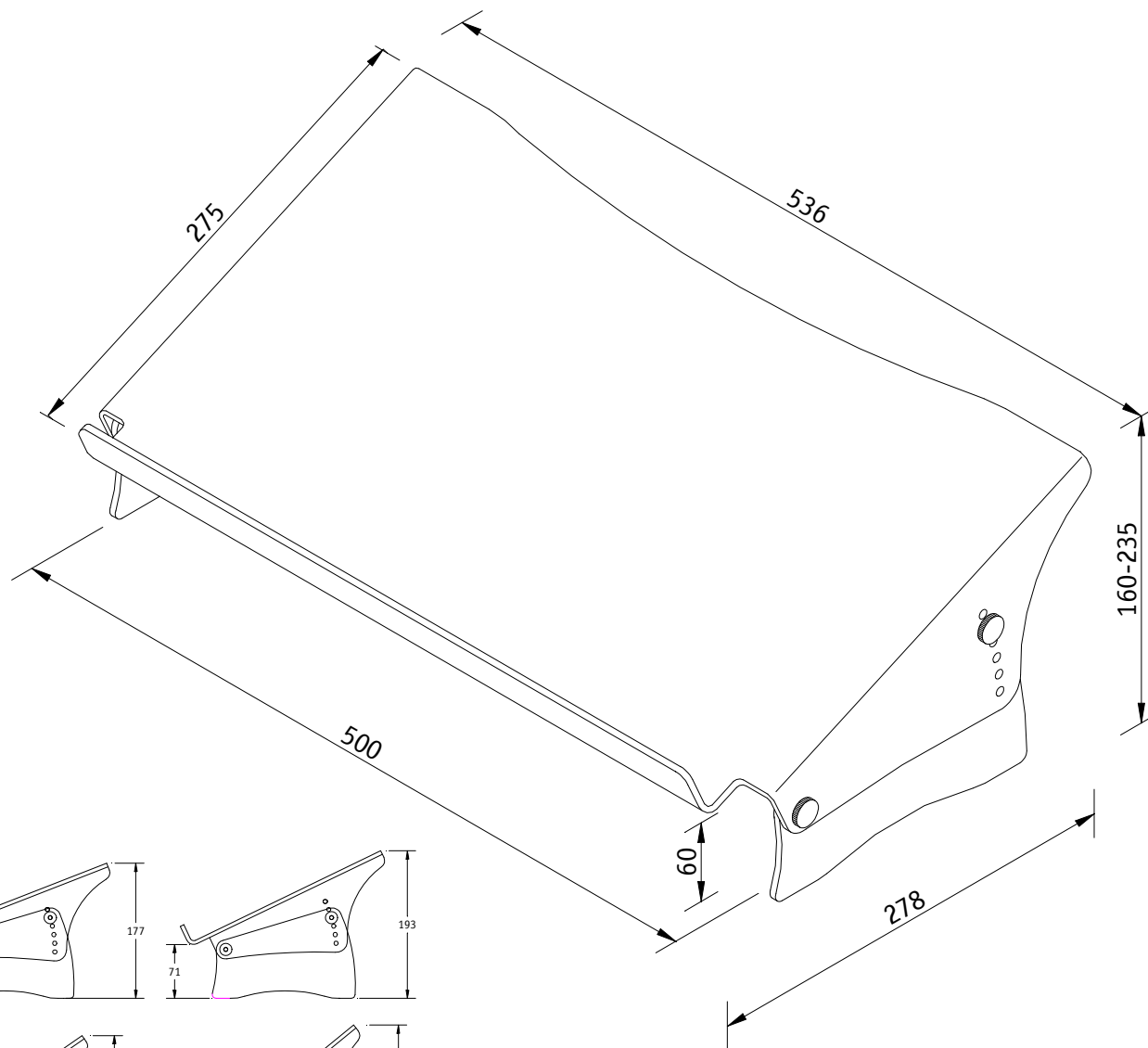


OFFICE FURNITURE
AND ERGONOMICS

DATA-INFO

49.410/411

Dataflex®
is a registered
trademark of
VIKING A.C. EUROPE BV
P.O. Box 713
NL-2920 CA
Krimpen a/d IJssel



All dimensions in mm.