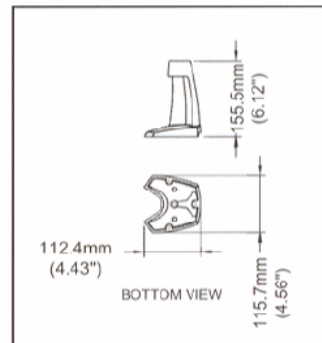
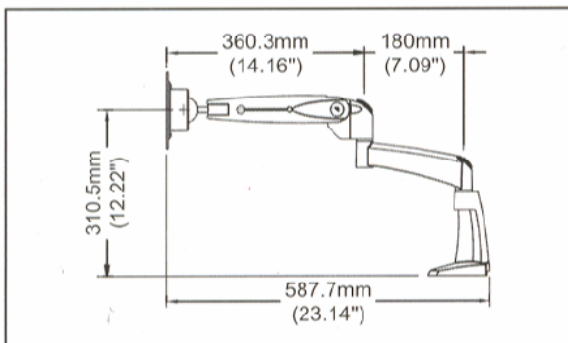
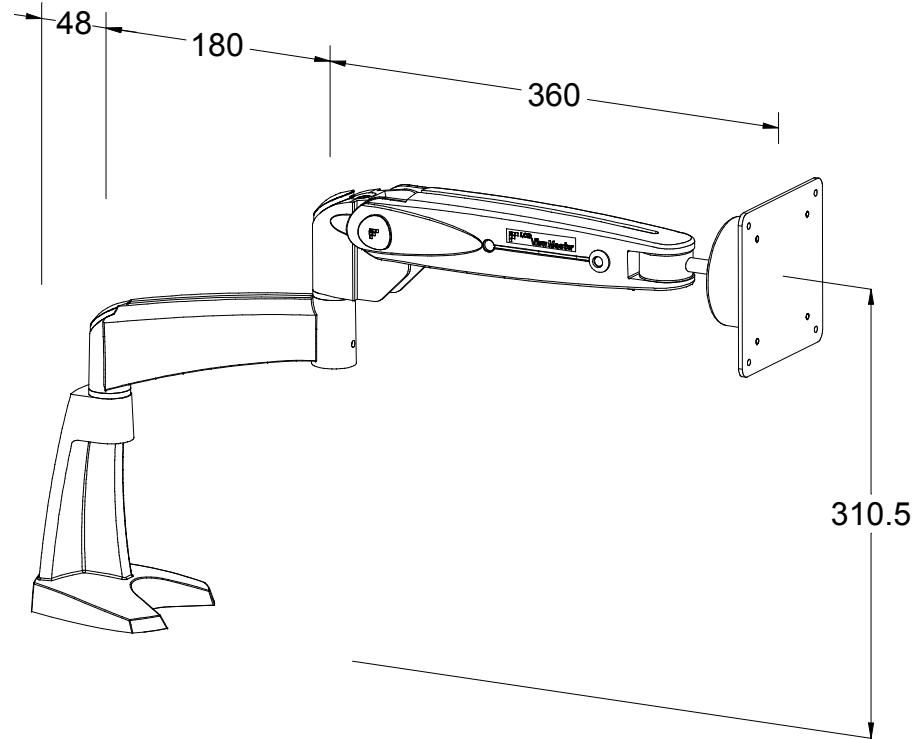
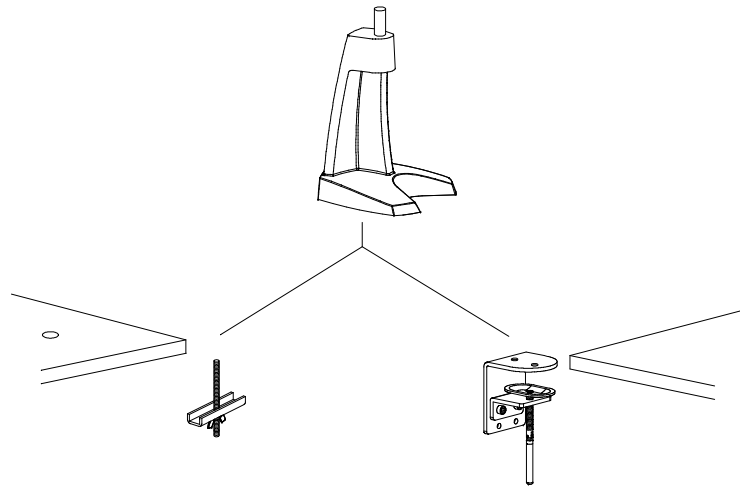
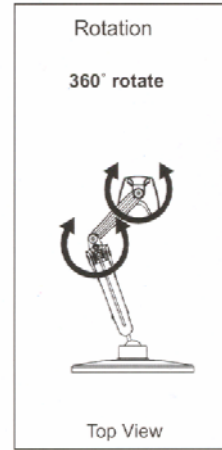
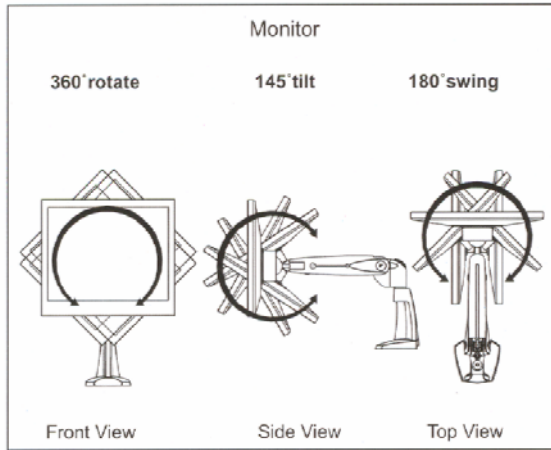
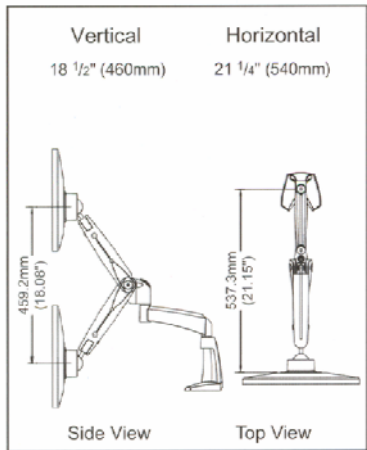




OFFICE FURNITURE
AND ERGONOMICS



DATA-INFO
53.202/203

Dataflex®
is a registered
trademark of
DATAFLEX
INTERNATIONAL BV
P.O. Box 713
NL-2920 CA
Krimpen a/d IJssel

All dimensions in mm - Dimensions en mm - Abmessungen in mm - Alle afmetingen in mm