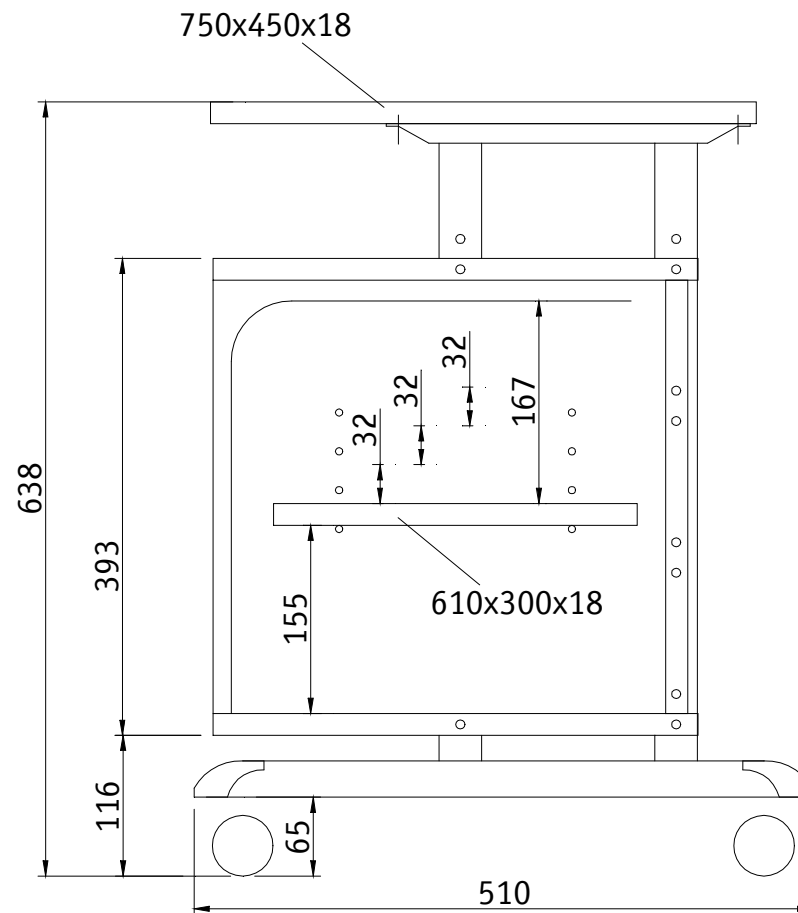


All dimensions in mm.



**DATA-INFO**

**# 85.450/453**

Dataflex®  
is a registered  
trademark of  
VIKING A.C. EUROPE BV  
P.O. Box 713  
NL-2920 CA  
Krimpen a/d IJssel