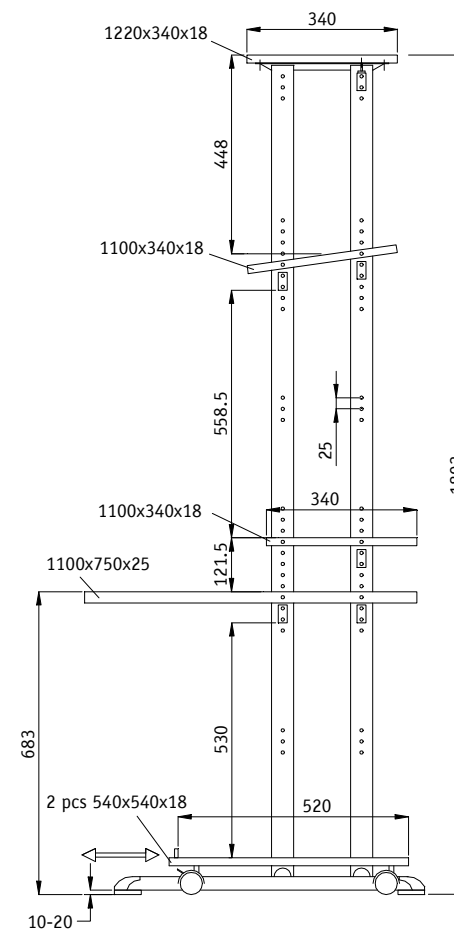
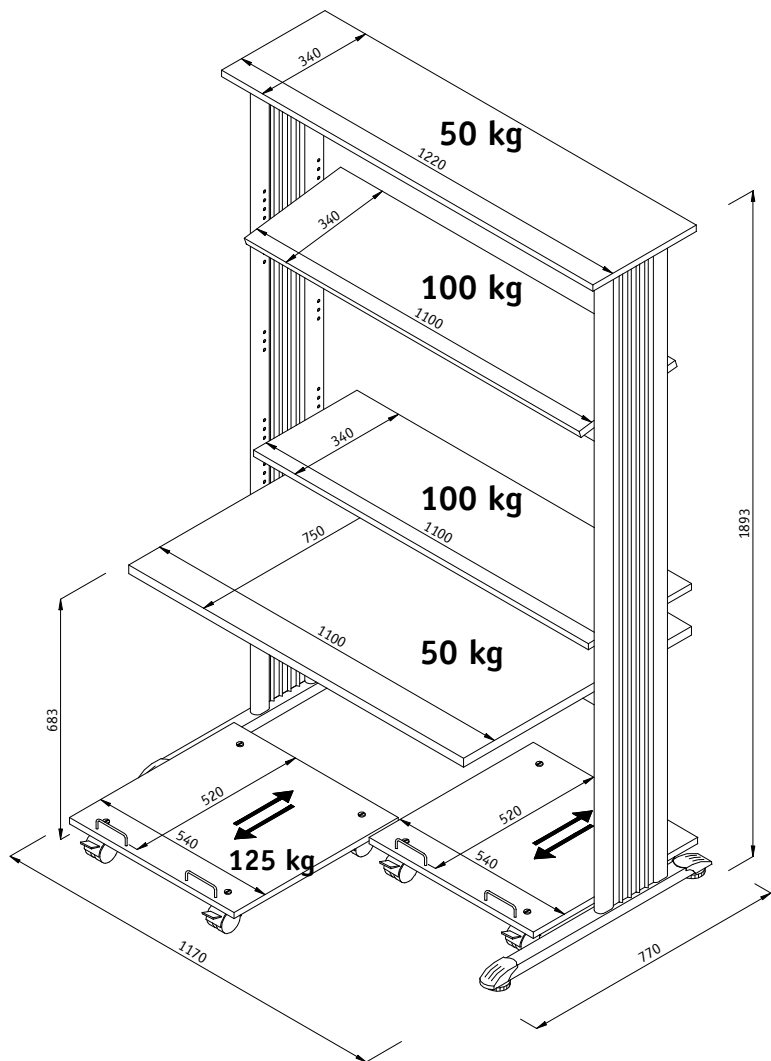
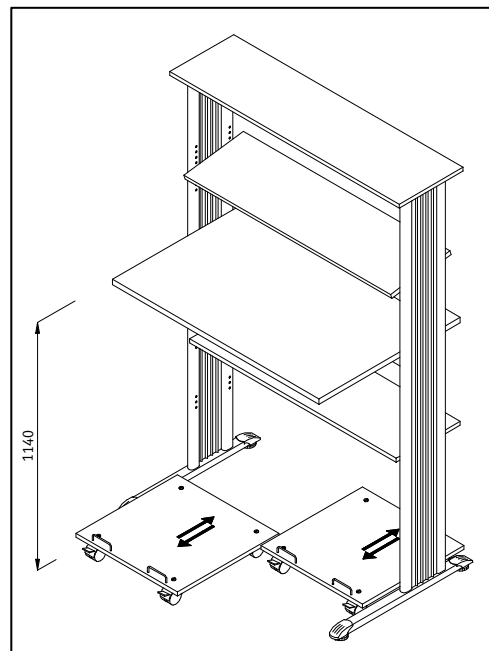


DATA-INFO # 90.200/3

Dataflex®
is a registered
trademark of
DATAFLEX
INTERNATIONAL BV
P.O. Box 713
NL-2920 CA
Krimpen a/d IJssel



PACKED IN 2 BOXES:
90.200 = 90.211 (LEGS) + 90.281 (PANELS)
90.203 = 90.213 (LEGS) + 90.283 (PANELS)

All dimensions in mm - Dimensions en mm - Abmessungen in mm - Alle afmetingen in mm