

58.040

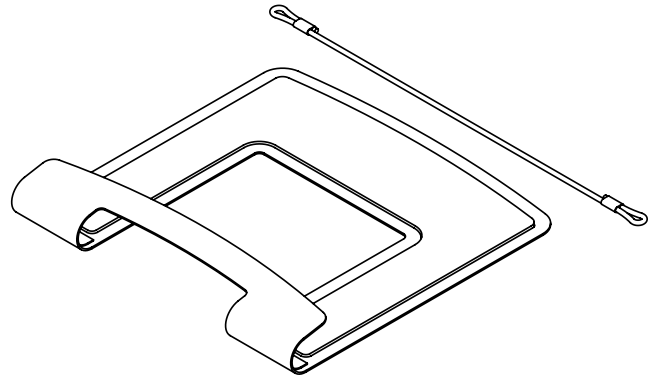
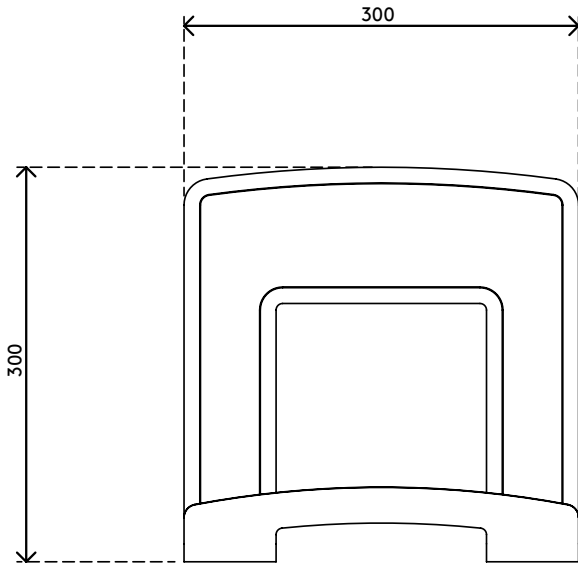
Viewlite notebook holder - option 040

Suitable for almost every notebook. The elastic band holds your notebook securely in place so you can move it to your ideal position, including for example aligning it with your secondary display monitor. Due to its quick release mounting head you can switch easily between your notebook holder and other Viewlite options.

- Very fast installation
- Exclusively compatible with the Viewlite quick-release VESA system
- Supports a max. thickness of 30 mm for an opened notebook

- Hidden cable management is easily accessible
- Fitted with protective non-slip foam
- Includes elastic safety band


viewlite



Viewlite notebook holder - option 040


2018/08/20


58.040

 360 x 340 x 86 mm

 1 pcs

 white

 1,401 kg

 805410580407